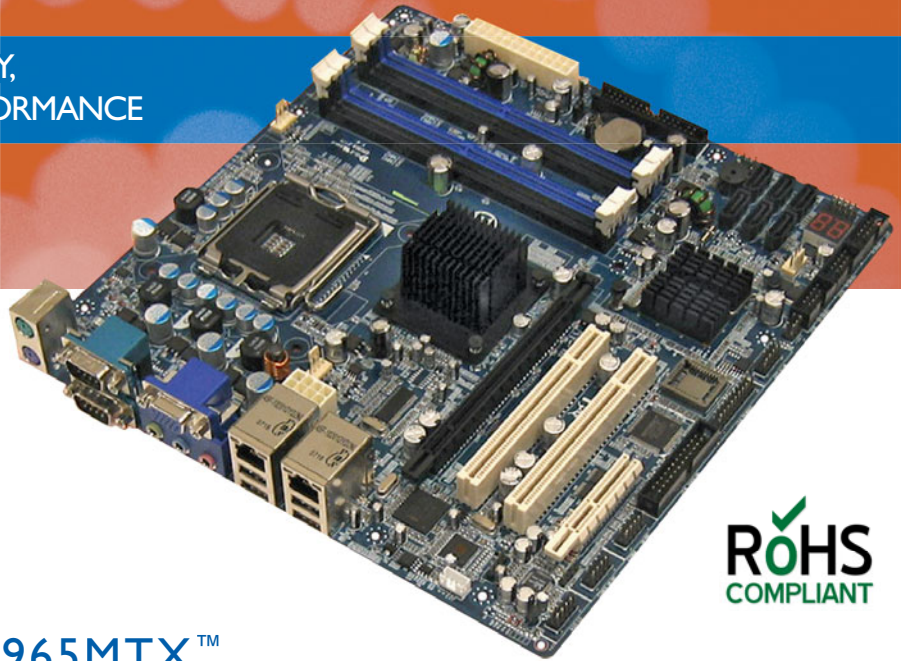


# 965MTX™

LONG-LIFE MOTHERBOARD FEATURING MULTI CORE PROCESSING

DELIVERING BEST-IN-CLASS SCALABILITY,  
OFFERING LONG LIFE AND HIGH PERFORMANCE



## PRODUCT HIGHLIGHTS

- Intel® Core™ 2 Duo E6400, Intel Core 2 Duo E4300, Intel Pentium® 4 and Intel Celeron® D 440 embedded processors
- Intel Q965 Express chipset
- 1066/800/533 MHz Front Side Bus
- Six (6) SATA2 (300MB/s) RAID
- Seven (7) To Ten (10) Year Guaranteed Production

## The 965MTX™

is a long-life industrial motherboard with multi-core processor technology and PCI Express. Powered by the Intel® Q965 Express chipset, the 965MTX motherboard was designed specifically for performance intensive embedded applications such as Medical, Security, Imaging, Industrial Automation, and Manufacturing.

## APPLICATIONS

- Medical
- Security
- Imaging
- Industrial Automation
- Manufacturing

The 965MTX motherboard delivers outstanding performance through high-bandwidth interfaces PCI Express, Serial ATA, and Hi-Speed USB 2.0 connectivity.

Additionally, the 965MTX supports dual-channel DDR2 800 MHz memory technology with up to 12.8 GB/s of peak memory bandwidth, onboard Intel Graphics Media Accelerator (GMA) 3000, and Intel Fast Memory Access.



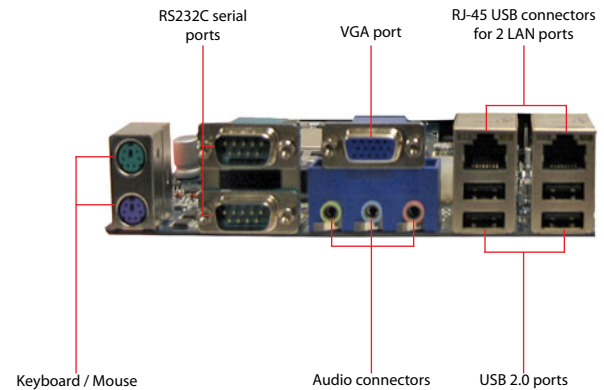
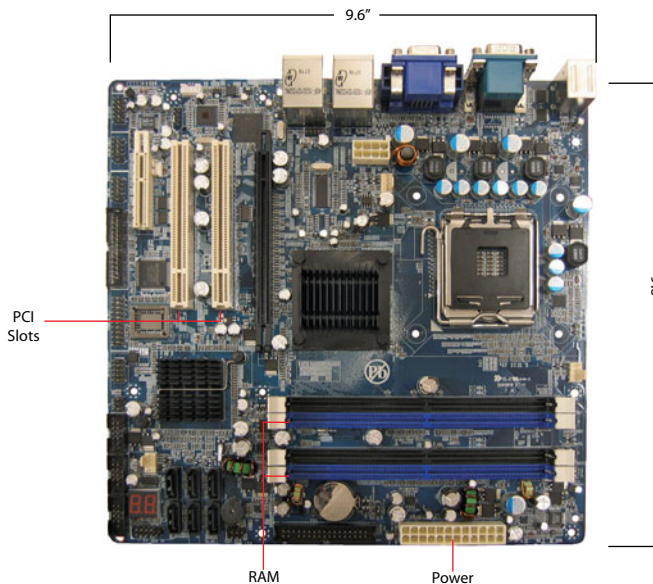
## OUR COMMITMENT TO QUALITY

All Corvalent products are designed and manufactured in an ISO 9001:2008 environment and backed by a seven (7) to ten (10) year production life cycle guarantee.



# 965MTX™

## LONG-LIFE MICROATX MOTHERBOARD FEATURING MULTI CORE PROCESSING



### TECHNICAL SPECIFICATIONS

<b>Form Factor</b>	MicroATX	<b>Ethernet</b>	Two (2) onboard Intel 82573L PCI Express-based GbE Ethernet ports
<b>Dimensions</b>	9.6" x 9.6"	<b>Audio</b>	Intel HD Audio, 3-Jack Audio, Surround sound header, SPDIF output header
<b>Microprocessor</b>	Embedded Intel® Pentium® 4 Processor (LGA 775) Intel Celeron® D 440 Processor Intel Core™ 2 Duo E6400 Processor Intel Core™ 2 Duo E4300 Processor For additional supported processors, please contact us.	<b>Industrial Devices</b>	Hardware monitoring including fan, CPU temperature and voltages POST display
<b>Chipset</b>	Intel Q965 Express + ICH8DO	<b>BIOS</b>	AMI®
<b>Front Side Bus</b>	1066/800/533MHz	<b>Battery</b>	Removable lithium battery for CMOS memory
<b>Memory</b>	8GB DDR2 533/667/800MHz	<b>Operating Temp</b>	0°C to 55°C
<b>System Bus</b>	One (1) PCI Express x16 dedicated graphics slot One (1) PCI Express x4 slot Two (2) 32-bit PCI slots	<b>Non-Operating</b>	-40°C to 70°C
<b>Onboard I/O</b>	Six (6) SATA2 connectors (300MB/s supports RAID 0/1/5/10) Ten (10) USB 2.0 ports, four (4) connectors, six (6) USB headers Four (4) RS232C serial ports, two (2) connectors, two (2) headers, one (1) factory configurable to RS422 Infrared support on COM2 through header One (1) ECP/EPP parallel port header One (1) PS/2 mouse/keyboard connector One (1) floppy connector (supports two drives) One (1) Trusted Platform Module (TPM) header ATX2.2 - 24-pin, 8-pin ATX12V power socket	<b>Op. Humidity</b>	5% to 95% @ 40°C non-condensing
<b>Video Graphics</b>	Intel Graphics Media Accelerator 3000 (Maximum resolution 2048 x 1536 @ 75Hz) Single DB15 connector	<b>Non-Operating</b>	5% to 95% @ 40°C non-condensing
		<b>Part Number</b>	P65MX

**CORVALENT™**  
AT THE CORE OF EMBEDDED COMPUTING

1101 Arrow Point Drive, Building 5  
Cedar Park, TX 78613, USA  
toll free 888.776.7896 phone 512.456.2400  
fax 512.456.2404 info@corvalent.com

[www.corvalent.com](http://www.corvalent.com)