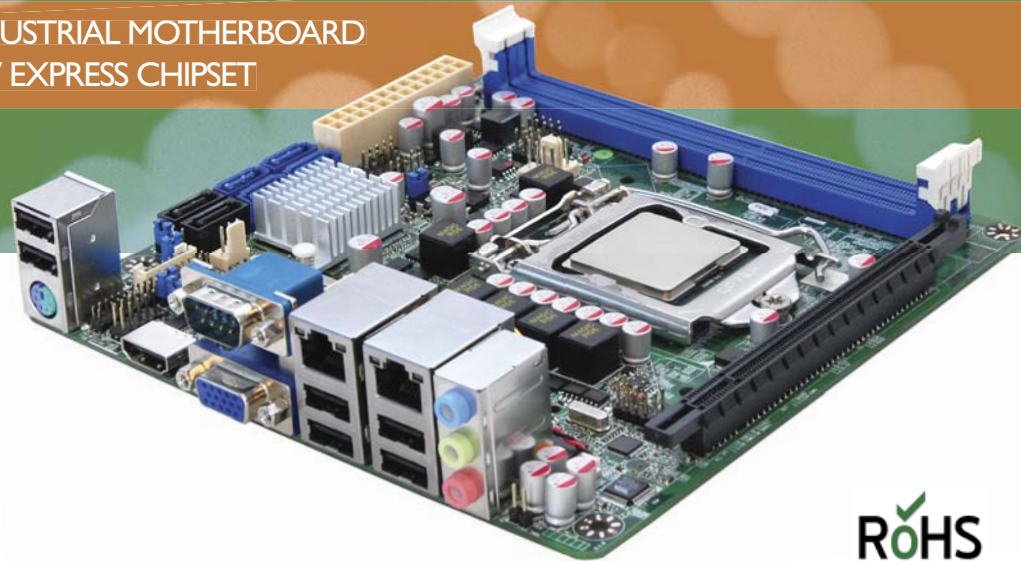


# Q67IX™

MINI-ITX MOTHERBOARD SUPPORTS 2<sup>nd</sup> GEN INTEL® CORE™ i3, i5, i7

THIS HIGH PERFORMANCE INDUSTRIAL MOTHERBOARD  
FEATURES THE POWERFUL Q67 EXPRESS CHIPSET



## PRODUCT HIGHLIGHTS

- Intel LGA1155 Core™ i7  
Intel LGA1155 Core™ i5  
Intel LGA1155 Core™ i3
- Mini-ITX Form Factor
- One (1) PCI-E x16 slot
- Two (2) SATA3 6Gb/s ports and  
Four (4) SATA2 3Gb/s ports  
supporting RAID 0/1/5/10
- Simultaneous dual HDMI +VGA or  
LVDS video outputs
- Seven (7) to Ten (10) Year  
Guaranteed Production



## The Q67IX™

is a powerful long-life industrial motherboard supporting the second generation Intel® “Sandy Bridge” Core™ i7, i5, and i3 series of processors. Beyond the incredibly powerful CPU technology, the Q67IX still provides a solid migration path for legacy technology users, and was designed for a wide variety of embedded applications such as Medical, Oil and Gas, Industrial Automation, Military/Security, Broadcast, Transportation, and Gaming.

## APPLICATIONS

- Medical
- Oil and Gas
- Security and Surveillance
- Industrial Automation
- Video Streaming /  
Broadcasting
- Test and Measurement
- Military / Defense
- Infotainment
- Industrial Computing  
Systems

While this tiny Mini-ITX board is sized for mobile applications, it supports the same 2<sup>nd</sup> generation full power Core™ i7, i5 and i3 “Sandy Bridge” processors found in the most powerful workstations and rack mount computing applications.

We’ve not only included our usual extras such as onboard RAID 0/1/5/10 support and dual Gigabit Ethernet ports, but this time in addition to four (4) SATA2 3Gb/s ports, we’ve included two (2) SATA3 6Gb/s ports, and your choice of three (3) video outputs for dual extended desktop monitors via HDMI, VGA, and/or LVDS outputs.

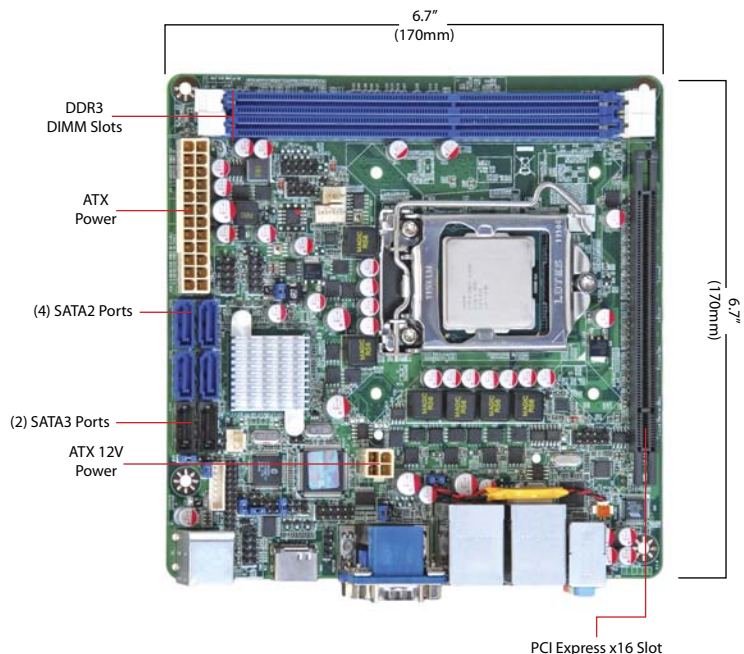
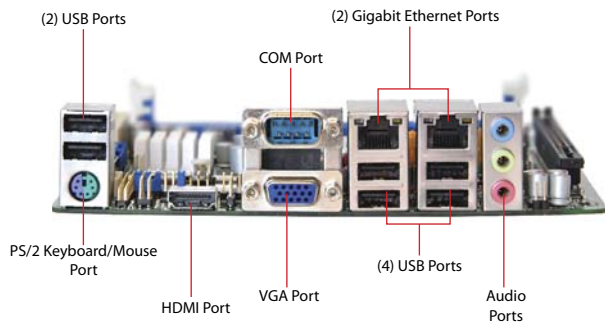
For legacy support there are (2) serial ports (RS232 + RS232/422/485), and a PS/2 combination keyboard and mouse port. Combine that with a total of ten (10) USB 2.0 ports, and you have what is without a doubt the most powerful compact industrial motherboards we’ve ever produced.



## OUR COMMITMENT TO QUALITY

All Corvalent products are designed and carefully manufactured in an ISO 9001:2008 environment and backed by a seven (7) to ten (10) year production life cycle guarantee.





### TECHNICAL SPECIFICATIONS

<b>Form Factor</b>	Mini-ITX	<b>Video Graphics</b>	Simultaneous dual video output via (1) VGA, (1) HDMI rear panel ports and/or (1) LVDS (24-bit Dual channel LVDS & inverter). Max. resolution 2048x1536
<b>Dimensions</b>	6.69" x 6.69" (170mm x 170mm)	<b>Ethernet</b>	Two (2) RJ45 10/100/1000, Gigabit Ethernet Ports (Intel 82579LM & 82574L)
<b>Microprocessor</b>	Intel® LGA 1155 Socket Intel Core™ i7-2600 (3.4/3.8GHz/x4) Intel Core i5-2400 (3.1/3.4GHz/x4) Intel Core i3-2120 (3.3GHz/x2) Intel Pentium G850 (2.9GHz/x2) Intel Pentium G540 (2.5GHz/x2)	<b>Audio</b>	6ch audio via (3) jacks on I/O back-panel (VIA VT1705 6-Channel HD Audio CODEC)
<b>Chipset</b>	Intel Q67 Express	<b>Industrial Devices</b>	CPU temperature monitor Watch Dog function
<b>Memory</b>	DDR3 (1066/1333MHz) Dual channel, Unbuffered, 240-Pin, memory up to 16GB maximum memory	<b>BIOS</b>	AMI® EFI 64MB SMT Flash ROM BIOS
<b>System Bus</b>	One (1) PCI-E x16 graphics slot	<b>Battery</b>	Removable lithium batt. for CMOS memory
<b>Onboard I/O</b>	Six (6) External USB 2.0 ports, Four (4) USB 2.0 ports supported on headers Two (2) SATA3 6Gb/s ports Four (4) SATA2 3Gb/s ports Intel Matrix Storage (chipset) RAID 0/1/5/10 One (1) External RS232 serial port One (1) RS232/RS422/RS485 serial port header One (1) PS/2 compatible keyboard/mouse connector on back panel One (1) GPIO on header One (1) CIR header One (1) Chassis Intrusion header One (1) Front Panel Audio Header One (1) ATX2.2 - 24-pin (2x12) power connector One (1) 4pin ATX12V power connector	<b>Operating Temp</b>	0°C to 60°C
		<b>Non-Operating</b>	-20°C to 85°C
		<b>Op. Humidity</b>	5 to 95% non-condensing
		<b>Non-Operating</b>	5 to 95% non-condensing
		<b>Compliance</b>	FCC, CE, ErP
		<b>Part Number</b>	Q67IX



1101 Arrow Point Drive, Building 5  
Cedar Park, TX 78613, USA  
toll free 888.776.7896 phone 512.456.2400  
fax 512.456.2404 info@corvalent.com  
www.corvalent.com