

CorBrick 945GSB™

DUAL VIDEO OUTPUT MICRO INDUSTRIAL SYSTEM

COMPACT FANLESS SYSTEM OFFERS PERFORMANCE,
VALUE AND A LONG-LIFE CYCLE



PRODUCT HIGHLIGHTS

- 1.96" x 4.4" x 7"
(50mm x 112mm x 178mm)
- Intel® Atom™ N270 Processor
- Includes 2GB DDR2 (533MHz)
- Choice of 160Gb or 320Gb 2.5" SATA HDD
- Choice of dual video output (VGA/DVI) or with (1) additional serial port and only VGA video
- Two (2) Gigabit Ethernet Ports
- Five (5) USB 2.0 ports (external)
- Data storage on internal SATA HDD, external USB or Compact Flash Slot
- External 12V 60W Power Supply
- Windows XP or Windows 7 optionally installed

KEY FEATURES

- Tiny fanless enclosure is about the size of a paperback book
- Dual video output to VGA and DVI simultaneously
- Includes power supply and stand
- Integrated graphics
- Dual Gigabit Ethernet Ports
- NTSC and VGA Video output
- Fully RoHS compliant
- Mounting Kits for VESA, wall mount, or DIN rail available

The CorBrick 945GSB™

is a packaged configuration built around the Corvalent 945GSBC™ long-life industrial motherboard. The CorBrick 945GSB™ offers good performance in a low power, low thermal signature configuration. Ideal for a broad array of display, automation control and network applications. In addition to the internal 2.5" hard drive, a compact flash slot is available for an inexpensive upgrade to solid state storage, or for easy offline data export. Features multiple Serial, USB and Gigabit Ethernet ports as well as built-in audio and NTSC video. The built-in video supports single resolutions up to 2048x1536 @ 75Hz and will simultaneously output both DVI and VGA video independently, ideal for digital signage applications. (Optional configuration can replace the DVI port with an additional external serial port (RS232/422/485))

As always, Corvalent can custom configure the system to your exact project specifications. Custom options such as extreme temperature & vibration resistant solid state hard drives, customized BIOS, additional RAM, VESA and DIN-Rack mounting kits are all available depending on your specific needs. And like always, our motherboards are available for at least (7) to (10) years, ensuring you a reliable and consistent source of computing technology for years to come.

ROHS
COMPLIANT



OUR COMMITMENT TO QUALITY

Corvalent systems are manufactured in our Austin, TX facility. Corvalent motherboards are backed by a (7) to (10) year production life cycle guarantee. All of our products are designed and manufactured in an ISO 9001:2008 environment.



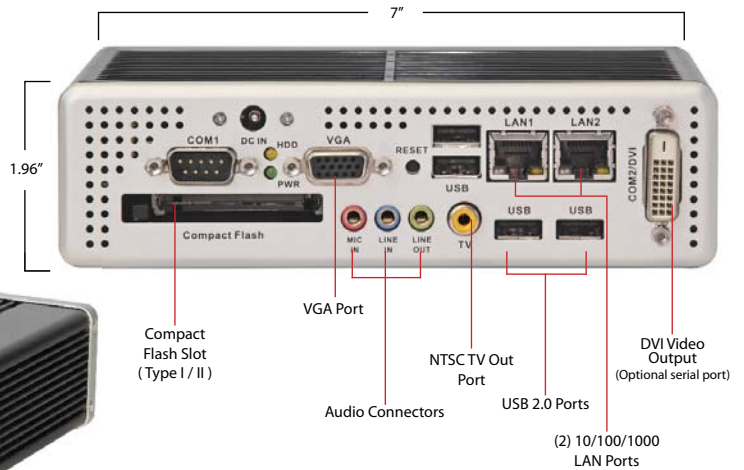
CORVALENT™
AT THE CORE OF EMBEDDED COMPUTING

CorBrick 945GSB™

DUAL VIDEO OUTPUT MICRO INDUSTRIAL SYSTEM



Aluminum Stand For Vertical Placement (Included)



TECHNICAL SPECIFICATIONS

Form Factor	3.5" (5.7" x 4") SBC Motherboard
Cooling Units	None: Fanless system
Air Flow	Rear vents and direct to case thermal transfer from processor
Standard Drives	One (1) 2.5" SATA HD
Drive Bays	One (1) CF Memoy slot (open)
Motherboard	Corvalent - 945GSBC (G2735)
Dimensions	7" x 4.4" x 1.96" (178mm x 112mm x 50mm)
Microprocessor	Embedded Intel® Atom™ N270 1.6GHz CPU
Chipset	Intel 945GSE + ICH7-M
Front Side Bus	533MHz
Memory	2GB DDR2 533 MHz SDRAM
System Bus	One (1) Compact Flash Type I/II socket
Onboard I/O	One (1) SATA for internal HDD One (1) RS-232 One (1) RS-232/422/485 (factory option) Five (5) USB 2.0 ports, One (1) VGA Port One (1) RCA NTSC Video Port One (1) DVI Port (factory option)
Video Graphics	Intel 945GSE Integrated, Intel DVMT 3.0 Supports up to 224 MB Shared Video Memory, with a max resolution of 2048 x 1536 (VGA +DVI)
Ethernet	Dual Marvell 88E8053 Gigabit Ethernet, 1000 Base-Tx Ethernet Compatible

Audio	Realtek ALC655 Stereo Audio Output with Mic and Line Level Inputs
Industrial Devices	Hardware Monitoring, watchdog timer
BIOS	Award® 8MB Flash BIOS
Battery	Removable lithium battery for CMOS memory
Operating Temp	0°C to 40°C
Non-Operating	-20°C to 75°C
Op. Humidity	5% to 90% @ 40°C non-condensing
Non-Operating	5% to 90% @ 40°C non-condensing
Part Number(s)	FC-G2735-01 : 2GB RAM,VGA Only, (2) Serial Ports, 160GB HDD FC-G2735-02 : 2GB RAM,VGA Only, (2) Serial Ports, 320GB HDD FC-G2735-03 : 2GB RAM,VGA+DVI, (1) Serial Port, 160GB HDD FC-G2735-04 : 2GB RAM,VGA+DVI, (1) Serial Port, 320GB HDD



1101 Arrow Point Drive, Building 5
Cedar Park, TX 78613, USA
toll free 888.776.7896 phone 512.456.2400
fax 512.456.2404 info@corvalent.com

www.corvalent.com